

**134**  
DANGER  
FAN BLADES

**147**  
CAUTION  
SPECIAL  
FILL

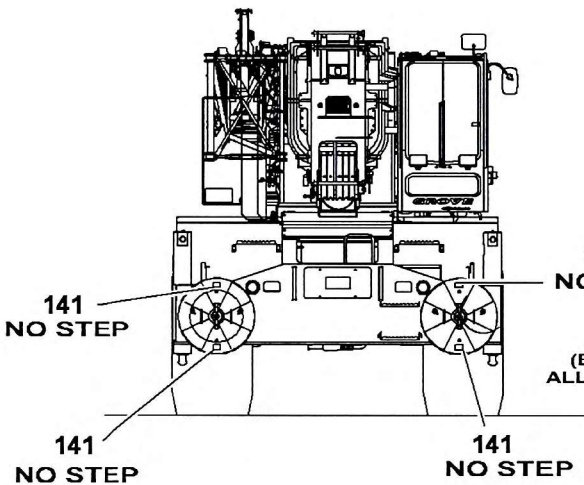
**149**  
DANGER  
EXPLOSION  
HAZARD

**136**  
CAUTION  
BATTERY  
CONNECTION

**138**  
CAUTION  
ENGINE  
COOLANT FILL

**133**  
DANGER  
PRESSURIZED  
FLUID HAZARD

HATCHING DENOTES NON-SKID PAINT AREA.



**141**  
NO STEP

**141**  
NO STEP

**141**  
NO STEP  
(BOTH SIDES;  
ALL O/R BEAMS)

**141**  
NO STEP

**141**  
NO STEP

**141**  
NO STEP

**145**  
DANGER  
ETHER HAZARD

**141**  
NO STEP

**141**  
NO STEP  
(BOTH SIDES;  
ALL O/R BEAMS)

